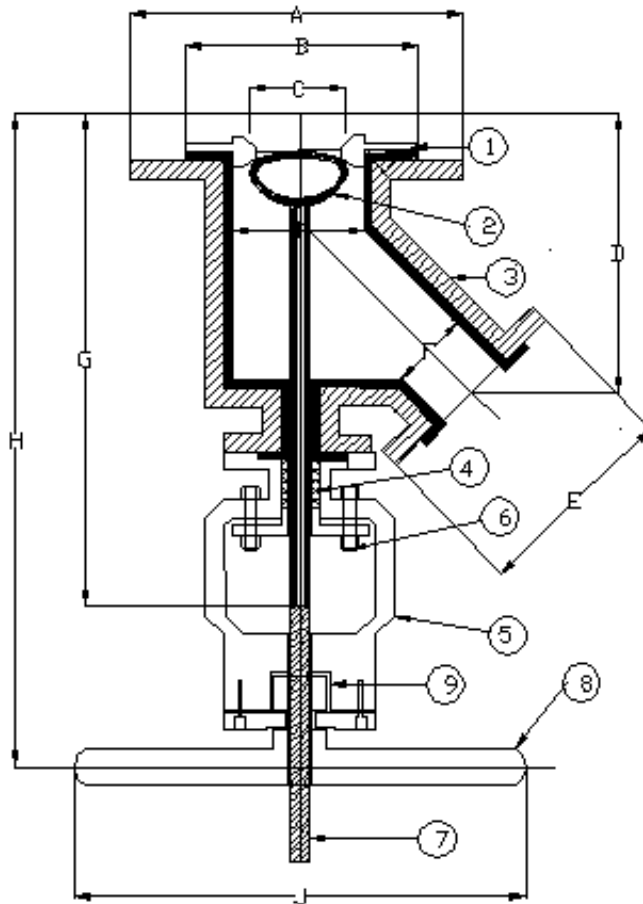


Flush bottom valve

PFA/FEP lined Flush bottom or bottom flush or bottom discharge valves are used to flush tanks and are mounted on bottom. PFA/FEP lining renders it corrosion resistance.

Bottom Discharge/Flush valve



Dimension Chart

SIZE	A	B	C	D	E	F	G	H	I	J
50 x 25	152	90	40	100	108	25	150	220	50	150
80 x 50	190	127	70	160	152	50	330	430	78	200

100 x 80	230	160	88	220	190	75	400	500	100	200
150 x 100	305	210	140	320	230	100	500	600	150	250

Bill Of Material

SR NO.	PART NAME	MATERIAL
1	VALVE SEAT	PTFE/TEFLON
2	SPINDLE	C.S.
3	BODY	C.I. Graded Casting, W.C.B. Or S.S.
4	GLAND	PTFE/TEFLON
5	BONNET	C.S.
6	BOLT	S.S.
7	SCREW	S.S./M.S.
8	WHEEL	C.S./M.S.
9	WHEEL NUT	GUN METAL
LINING SPECIFICATION		
LINING MATERIAL	TEFLON / FEP	
LINING THICKNESS	3 MM ALL WETTED PARTS	
TEMP. WITHSTAND	205°C TEMP. MAX.	
TEST PRESSURE		
BODY	20 Kg / Cm ²	
SEAT	10 Kg / Cm ²	
SPARK TEST	15 KV DC	

All dimensions are in mm, unless specified.

Contact Information Polycoat Flowchem

Telephone : 91-79-274 6754

FAX : 91-79-274 5754

9, Minanagar, Vastral Road, Amraiwadi, Ahmedabad-380 026, India

E mail polycoat@vsnl.com

* Teflon, Tefzel are registered trade mark of Dupont, USA

